

# Installation Guide for RACK12 Mounting Bracket

This guide provide brief introduction and usage method for Mounting Bracket.

HDBaseT Extender is consist of one HDBaseT Transmitter and one HDBaseT Receiver, this Mounting Bracket with 12 slots is designed for fixing twelve Transmitters or Receivers.

## 1. Preparation


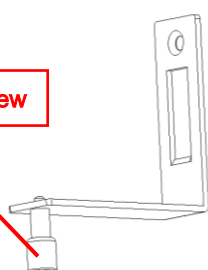
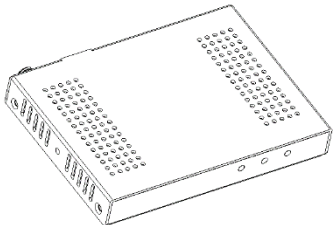
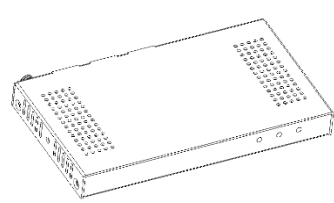
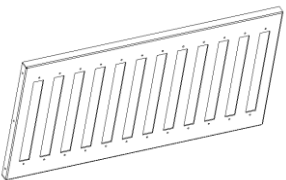
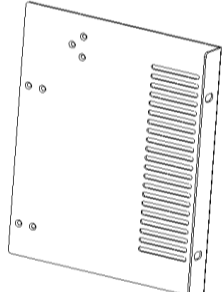
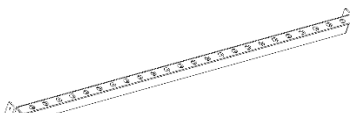
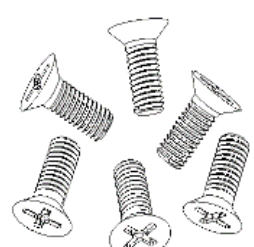
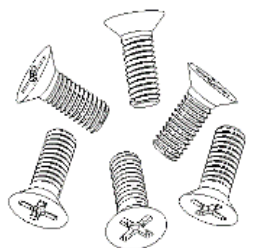
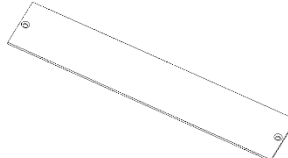
### ✓ Unpacking

Take out all spare parts form the packaging box, and check them carefully. If you find any defective or missing parts, please contact your local dealer.

#### Packing List:

24 x Support(1)	12 x Support(2)	1 x Main Frame
2 x Panels	2 x Metal Rods	22 x Screws(2.5*5mm)
44 x Screws(3*6mm)	11 x Baffle plates	1 x Fast Operating Guideline

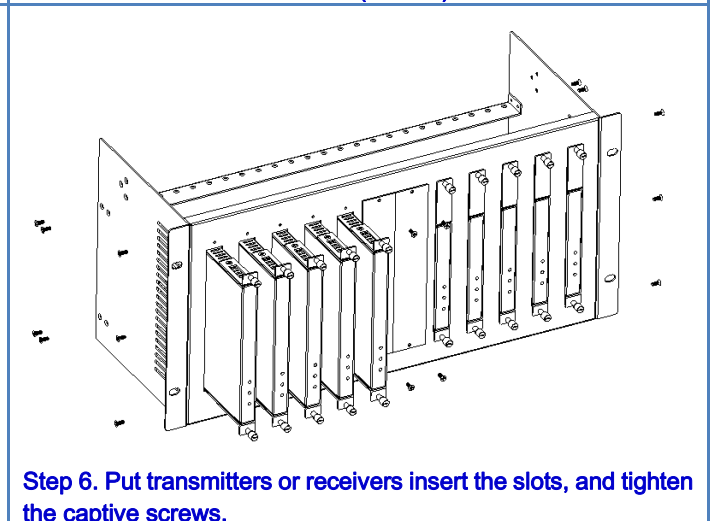
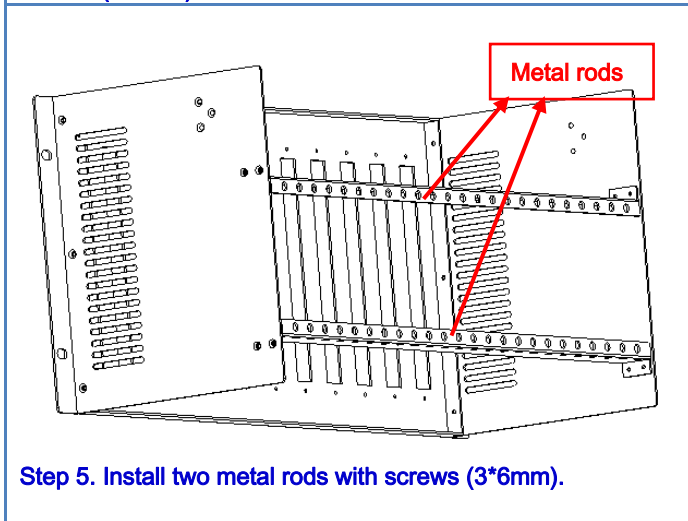
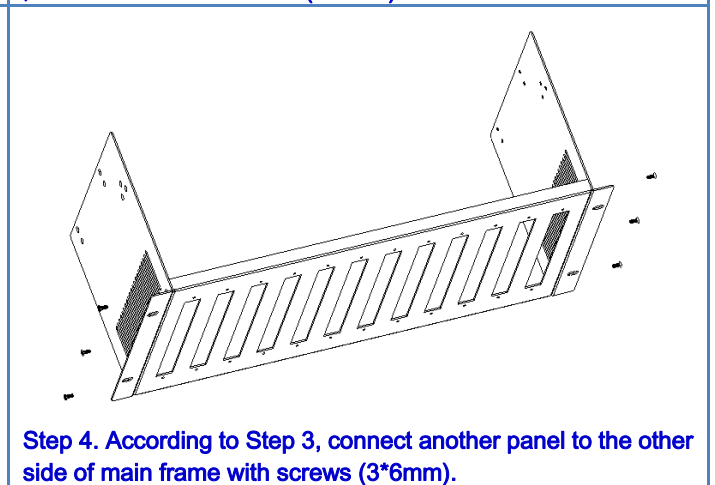
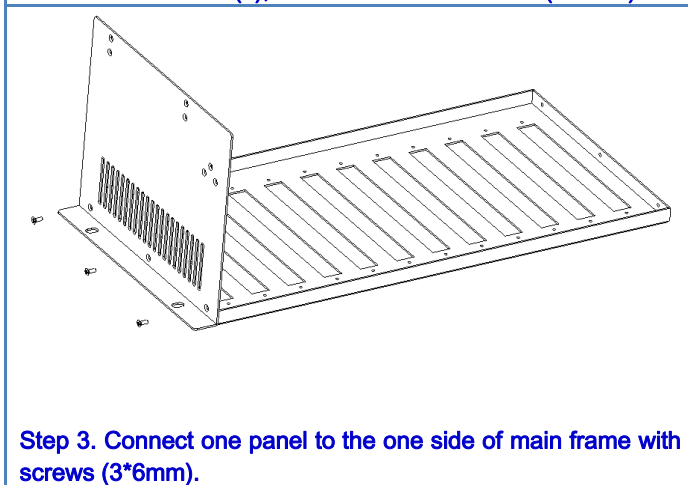
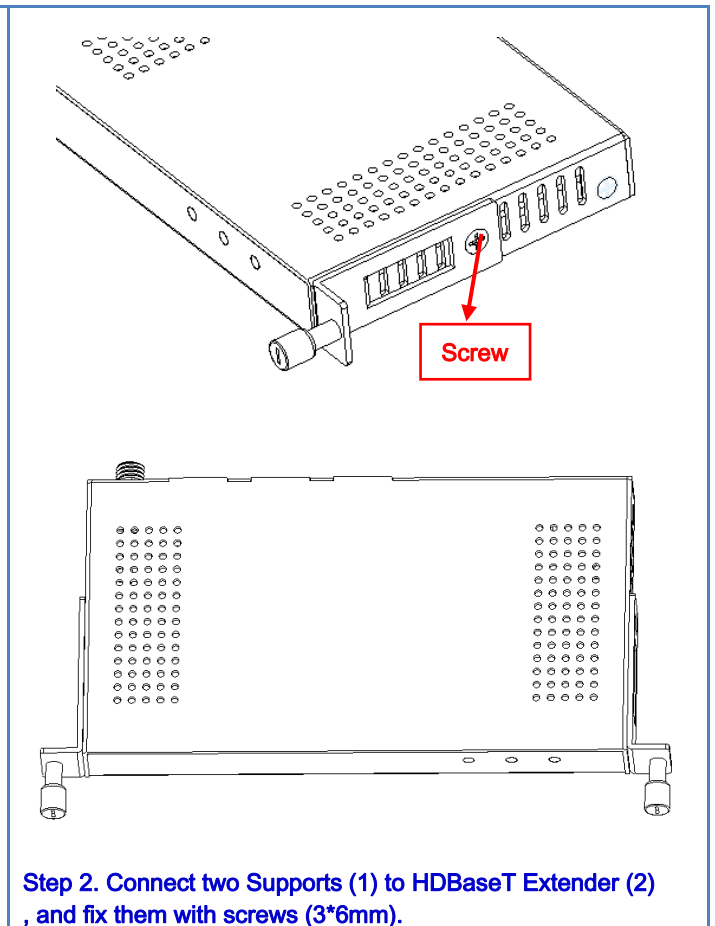
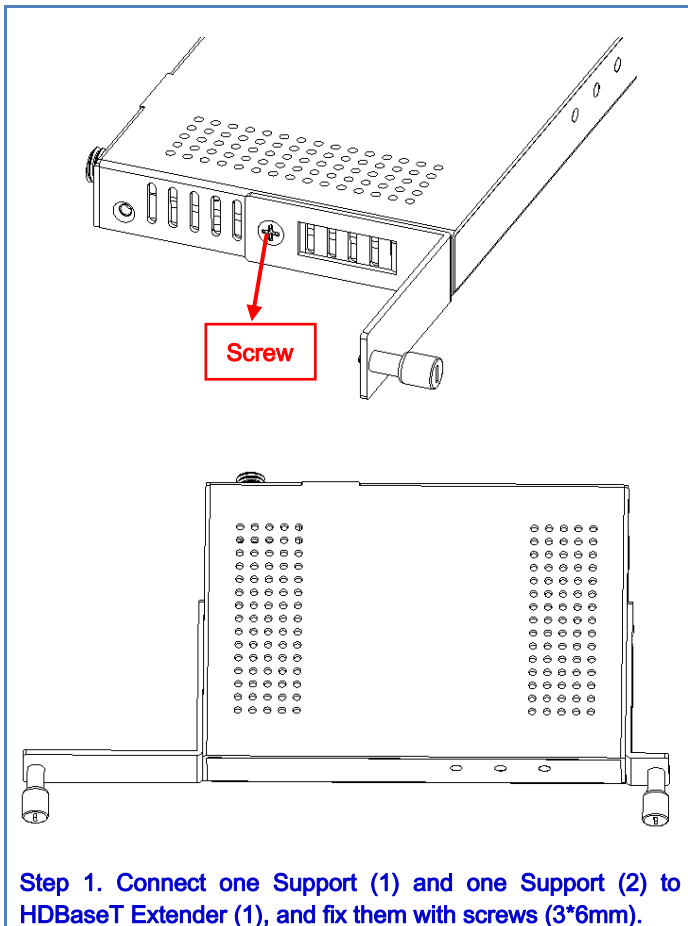
### ✓ Prepare Spare Parts

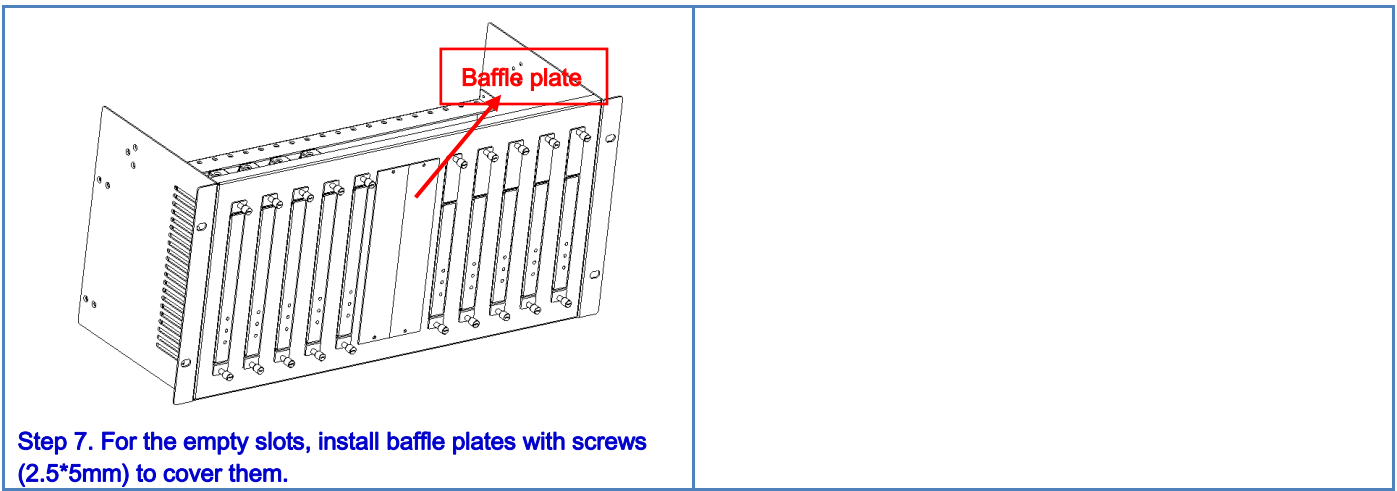
<p>Support (1)</p> 	<p>Support (2)</p> 	<p>HDBaseT Extender (1) (115mm*84mm*16mm)</p> 	<p>HDBaseT Extender (2) (152mm*84mm*16mm)</p> 
<p>Main Frame</p> 	<p>Panels</p> 	<p>Metal Rods</p> 	<p>Screws(2.5*5mm)</p> 
<p>Screws(3*6mm)</p> 	<p>Baffle plates</p> 		



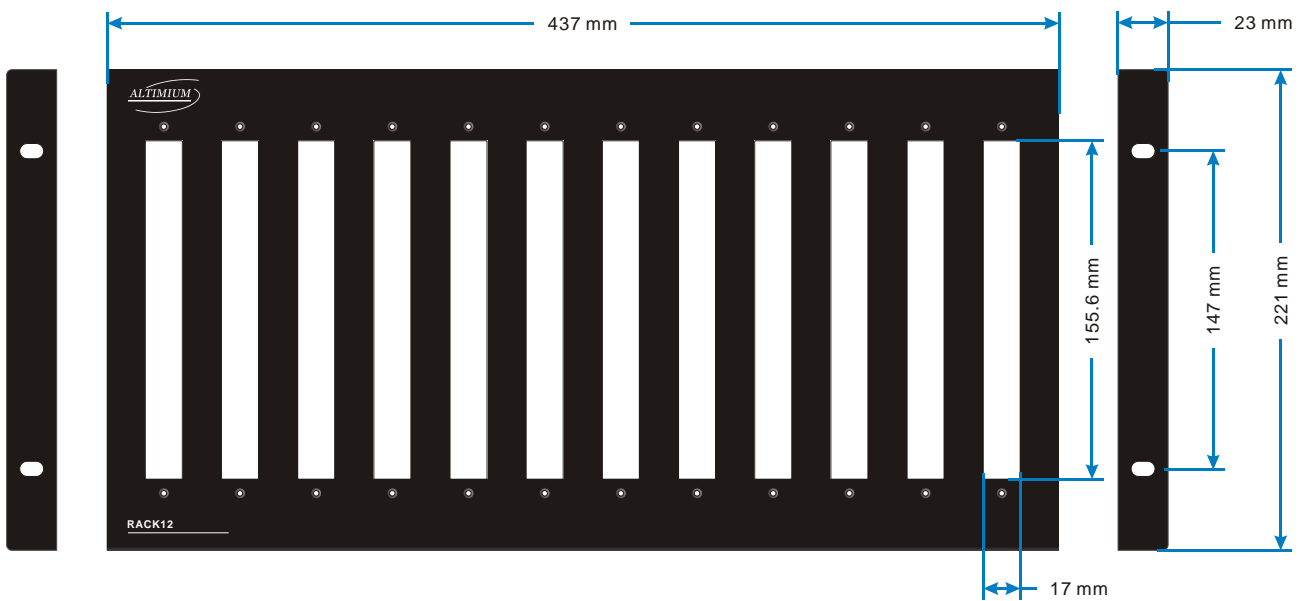
- ◇ Pictures for reference only, subject to our existing products.
- ◇ This Mounting Bracket can fix 12 HDBaseT Transmitters or Receiver.

## 2. Installation procedure





### 3. Dimensional Drawing



Dimension (W*H*D)	483.0mm × 221.0mm × 180.0 (External Frame) 155.6mm × 17.0 mm (Internal Square Frame)
Net Weight (g)	2Kg



ALTIMIUM

587 Avenue Blaise Pascal

77550 MOISSY-CRAMAYEL

Tél : 01.64.13.31.00

Fax: 01.60.29.62.70

Mail: [contact@tesca-audio.com](mailto:contact@tesca-audio.com)

Web: [www.altimium.com](http://www.altimium.com)